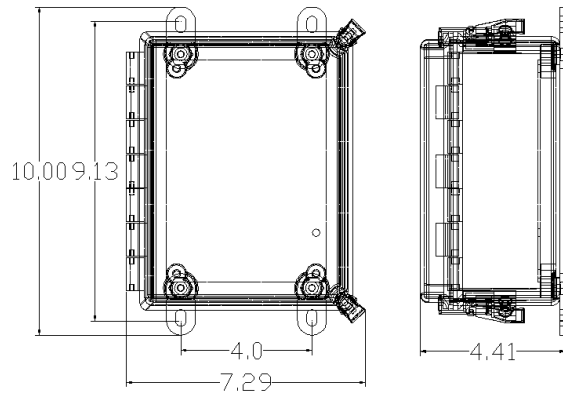


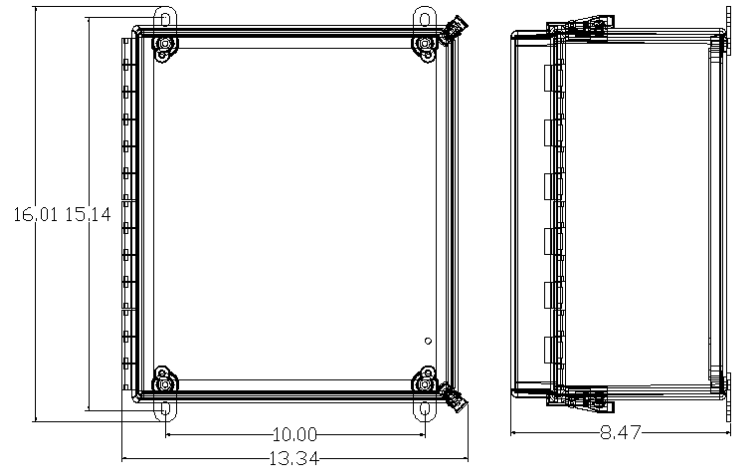
Dimensions and Ratings:

Fiberglass (FG) NEMA 4X

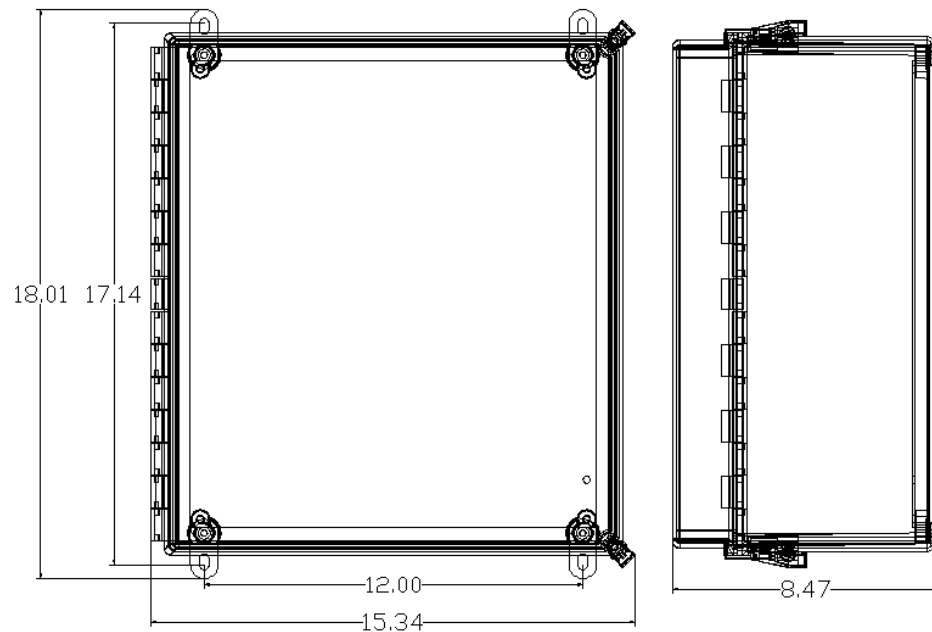
CMCP310FG-06 and CMCP310FG-12



CMCP310FG-24



CMCP310FG-36 and CMCP310FG-48



Industry Ratings:

UL 508A, File No. E61997: Type 4, 4X, 12 and 13

NEMA/EEMAC Type 4, 4X, 12 and 13

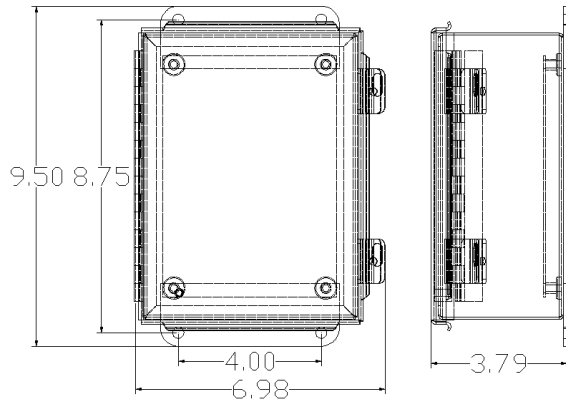
Enclosure Flammability Rating per UL 508A

CSA File No. 42186: Type 4, 4X, 12 and 13

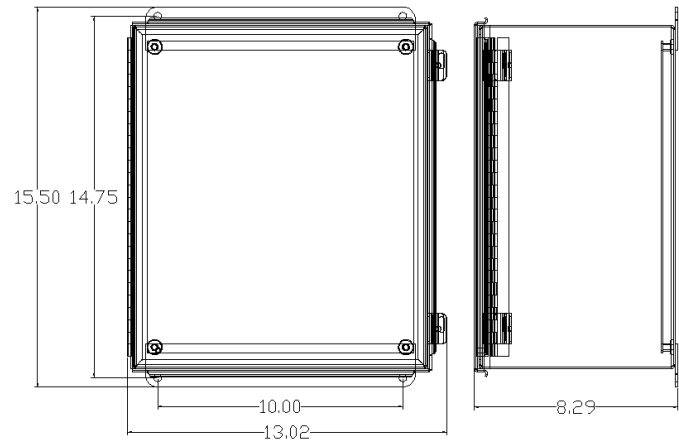
IEC 60529, IP

Painted Steel (PS) NEMA 4

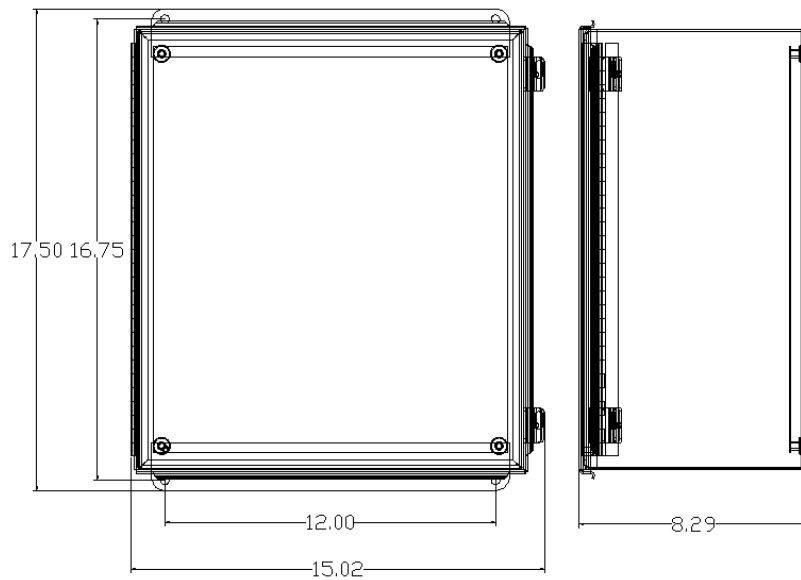
CMCP310PS-06 and CMCP310PS-12



CMCP310PS-24



CMCP310PS-36 and CMCP310PS-48

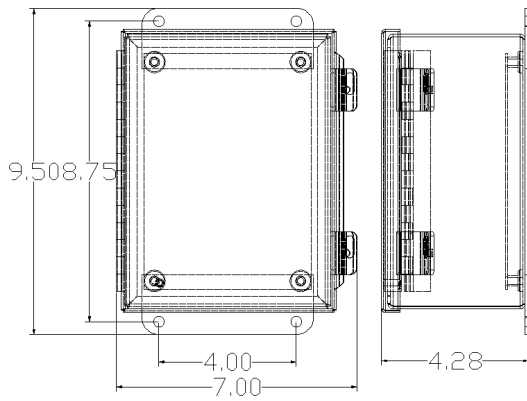


Industry Ratings:

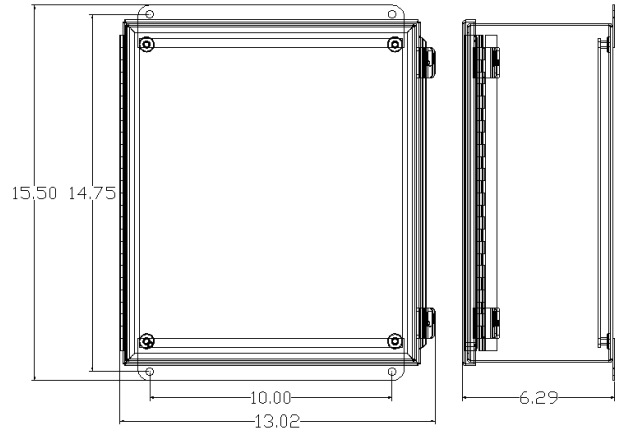
UL 50, File No. E27567: Type 4, 12, and 13
UL 508A, File No. E61997: Type 4, 12, and 13
NEMA/EEMAC Type 4, 12, and x13
CSA, File No. 42184: Type 4 and 12
IEC 60529, IP66

Stainless Steel (SS) NEMA 4X

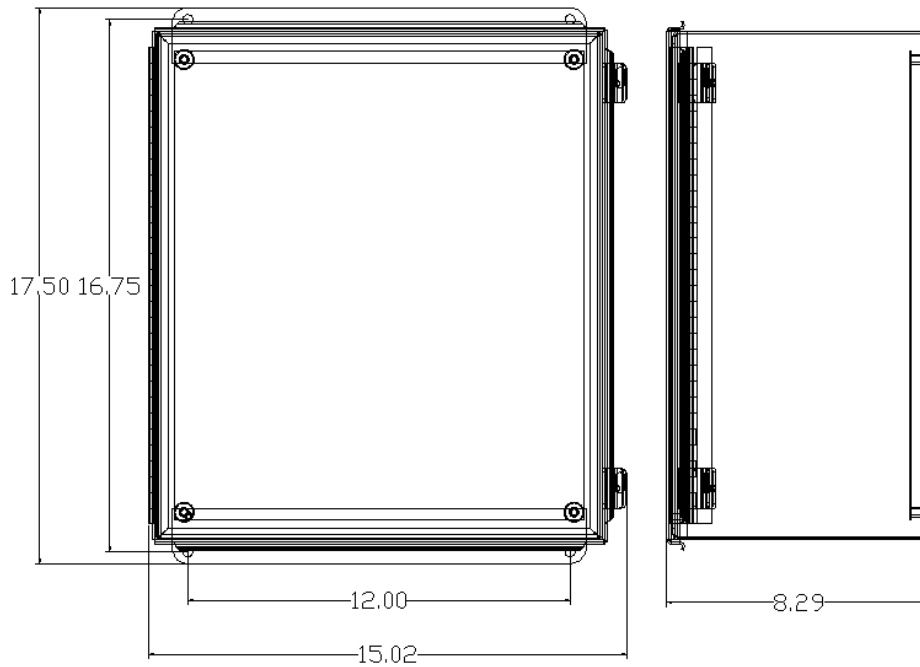
CMCP310SS-06 and CMCP310SS-12



CMCP310SS-24



CMCP310SS-36 and CMCP310SS-48



Industry Ratings:

UL 50, File No. E27567: Type 3R, 4, 4X and 12

UL 508A, File No. E61997: Type 3R, 4, 4X, and 12

NEMA/EEMAC Type 3R, 4, 4X, 12 and 13

CSA, File No. 42184: Type 4, 4X, and 12

IEC 60529, IP66